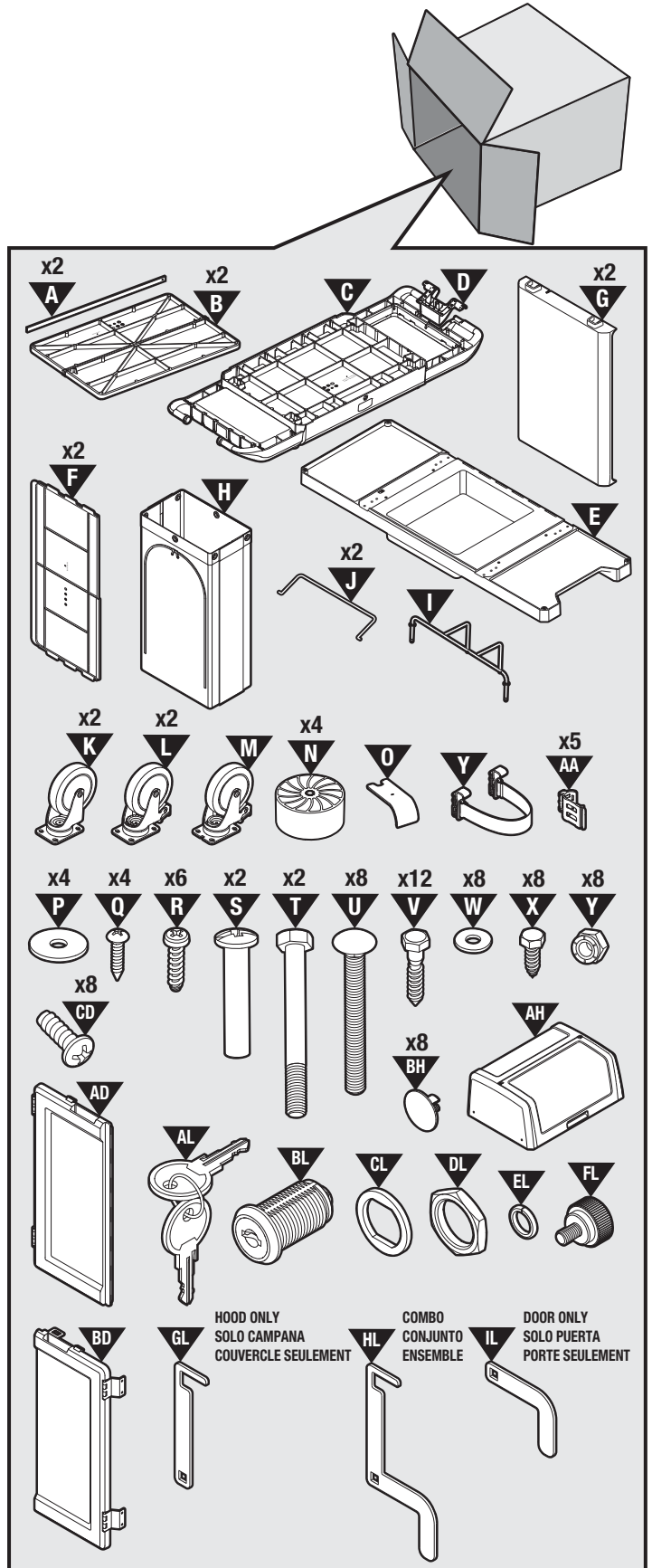
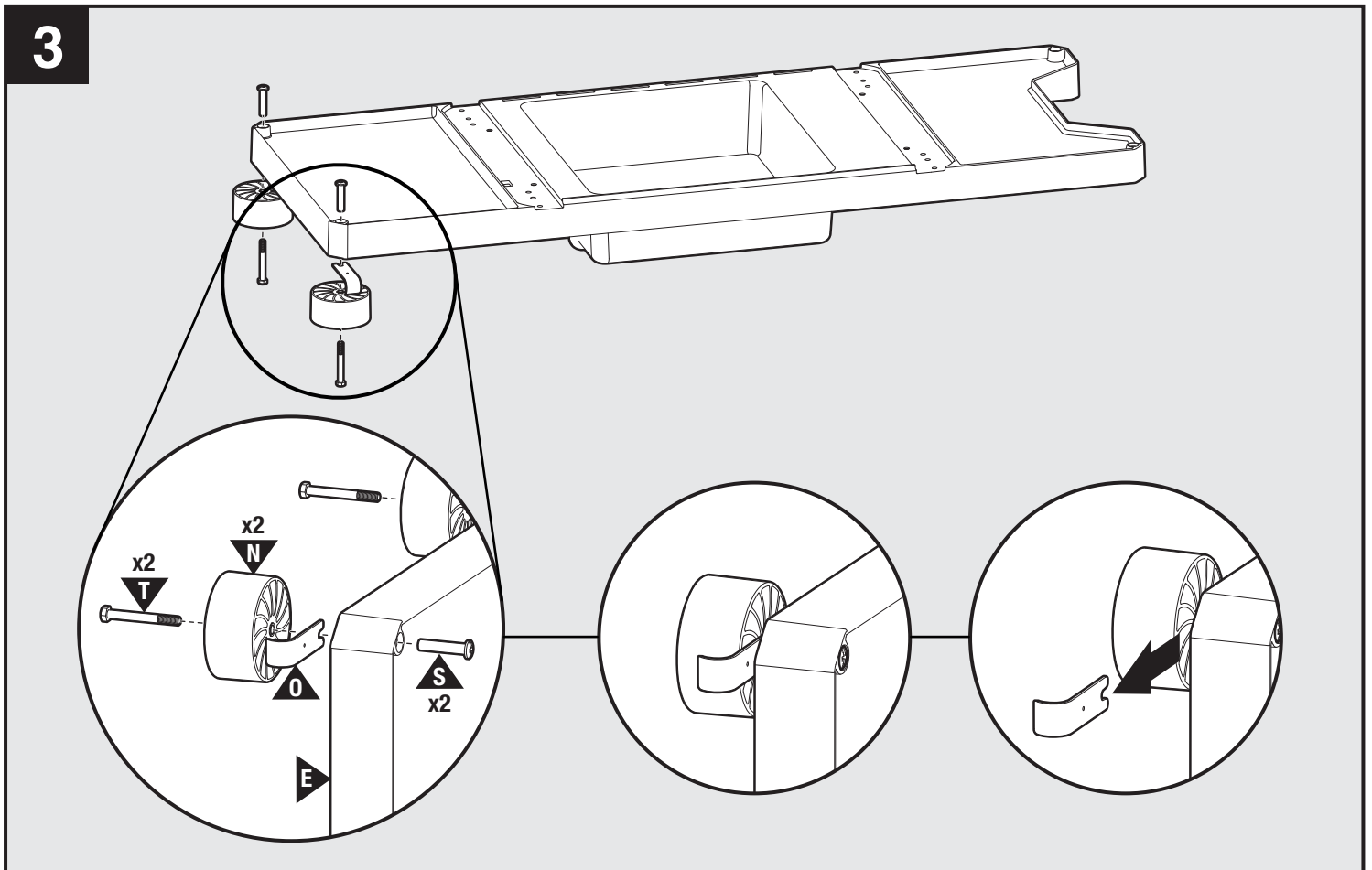
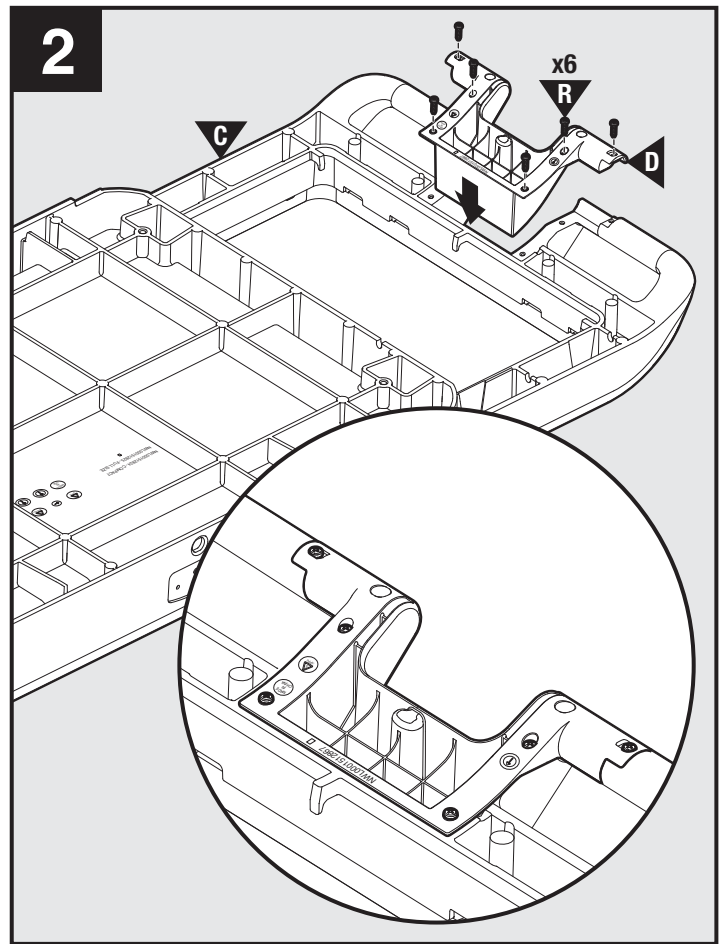
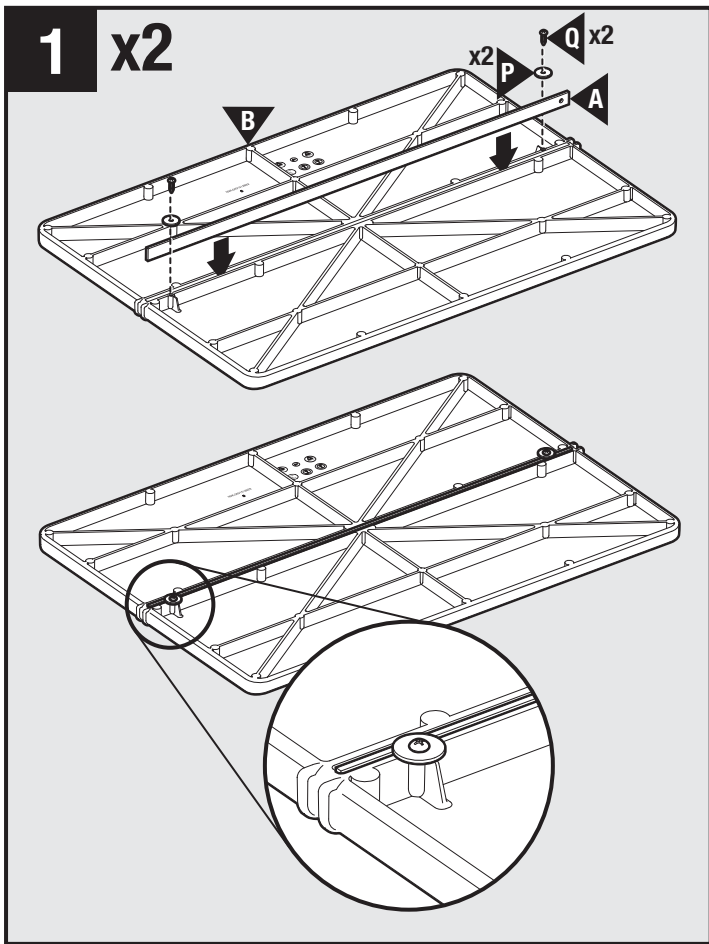
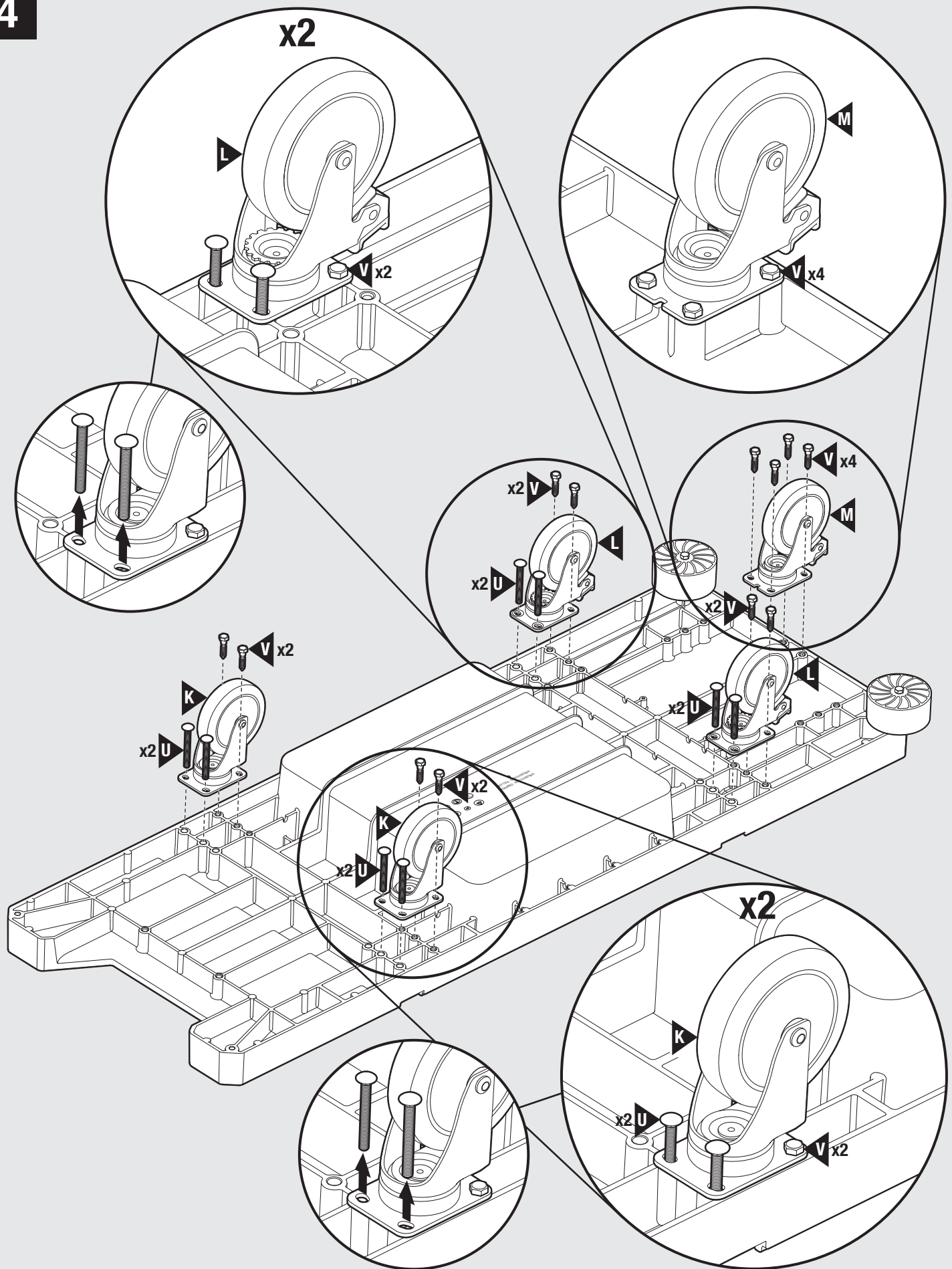


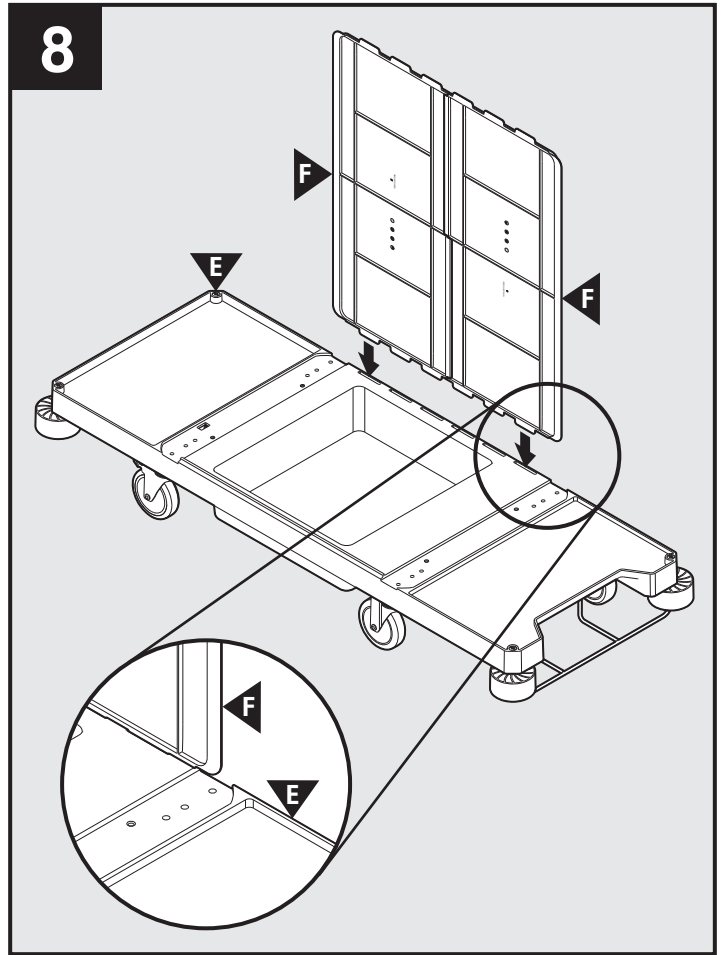
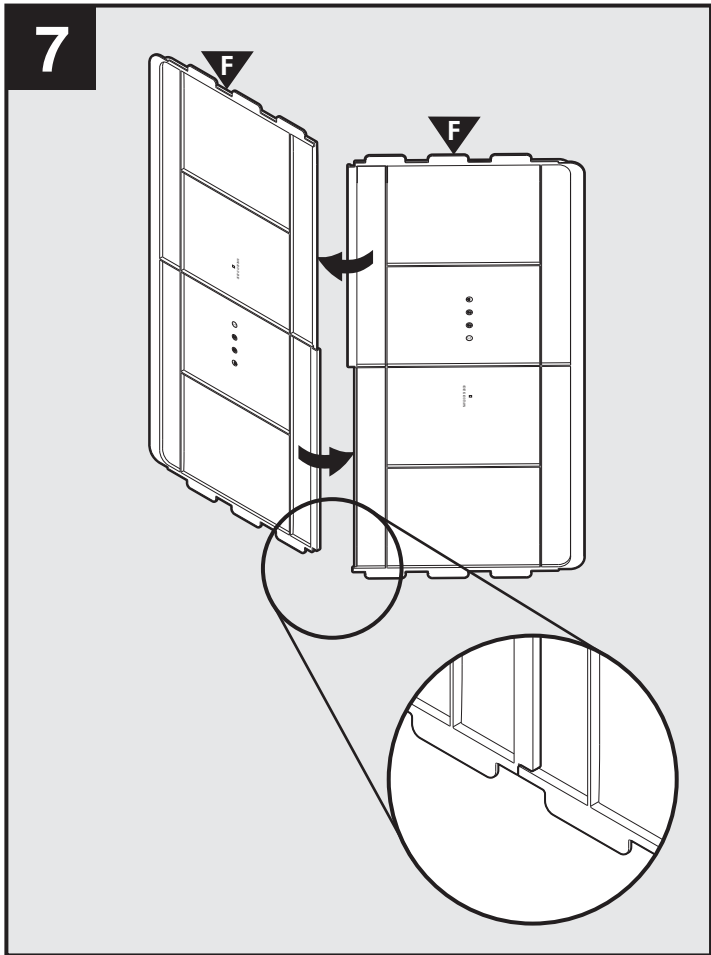
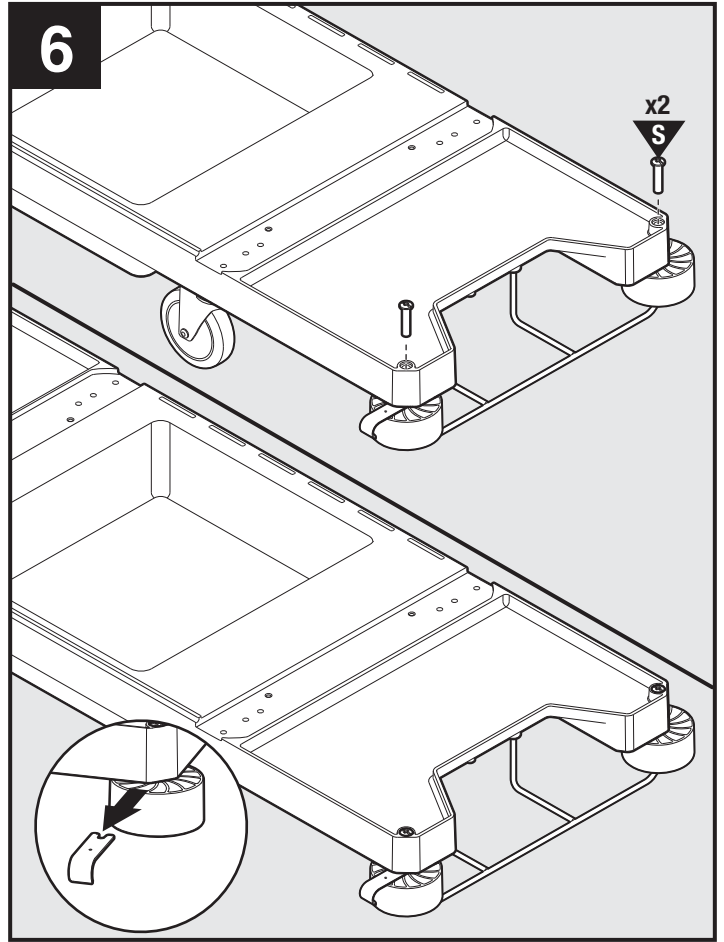
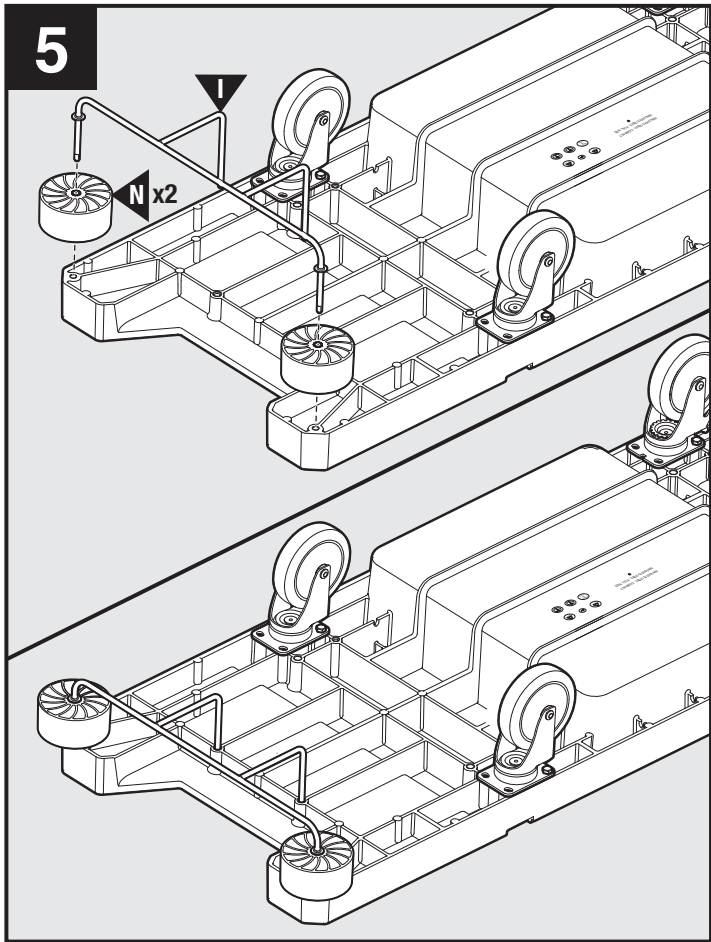
2202587



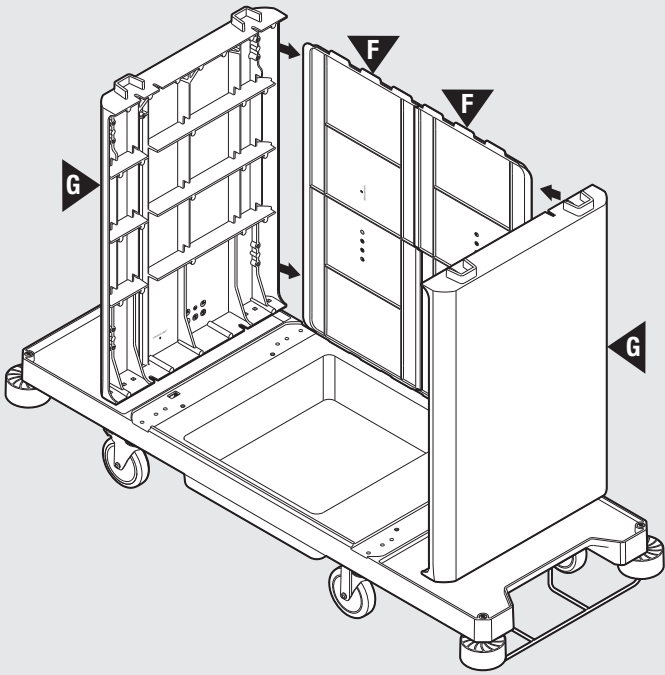


4

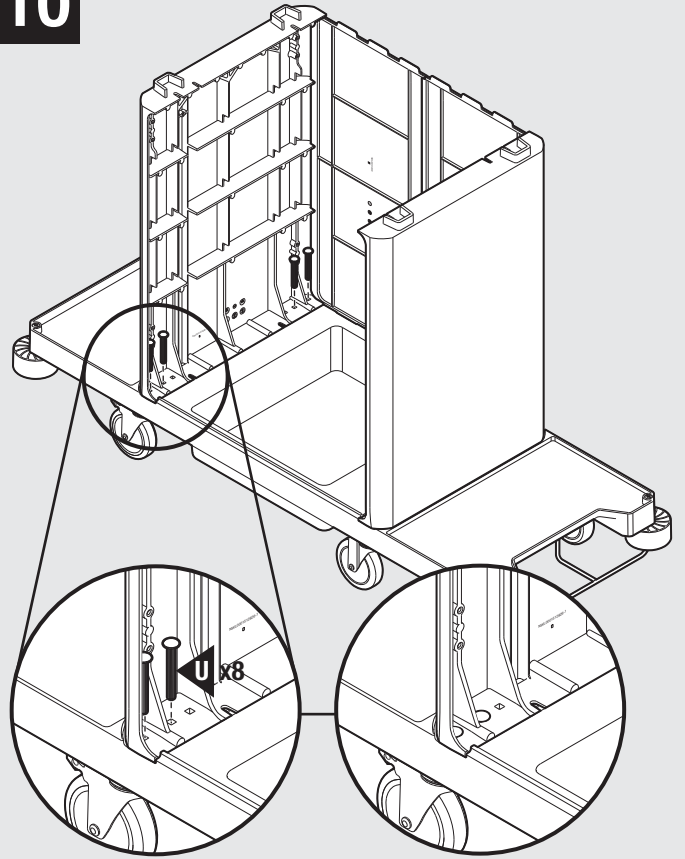




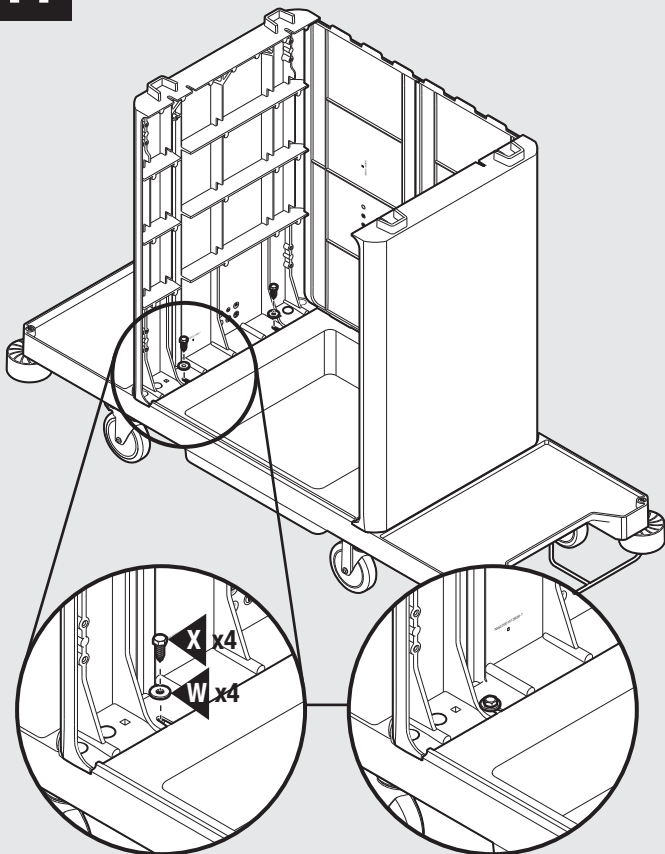
9



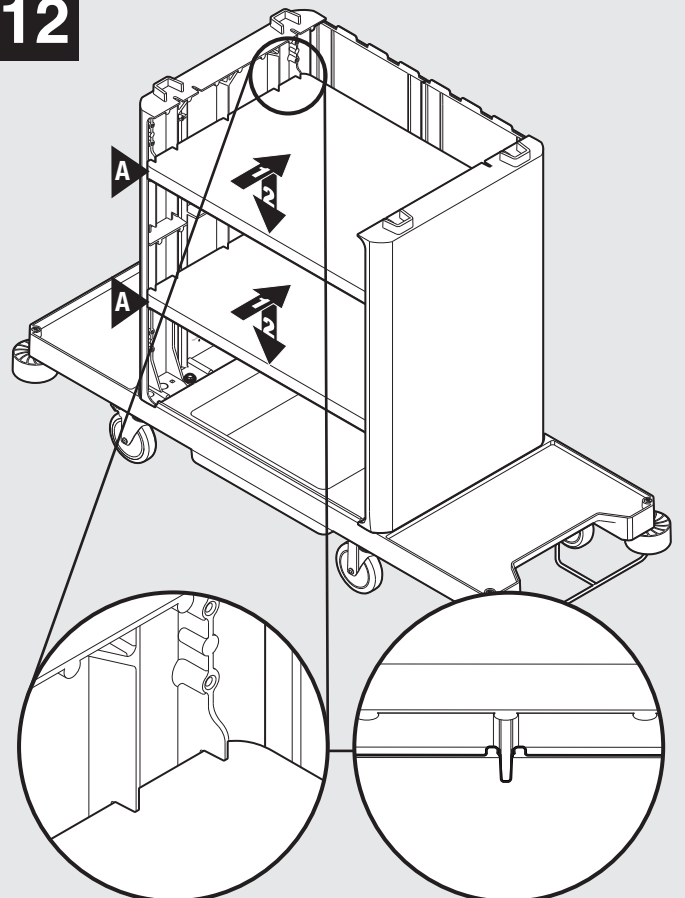
10

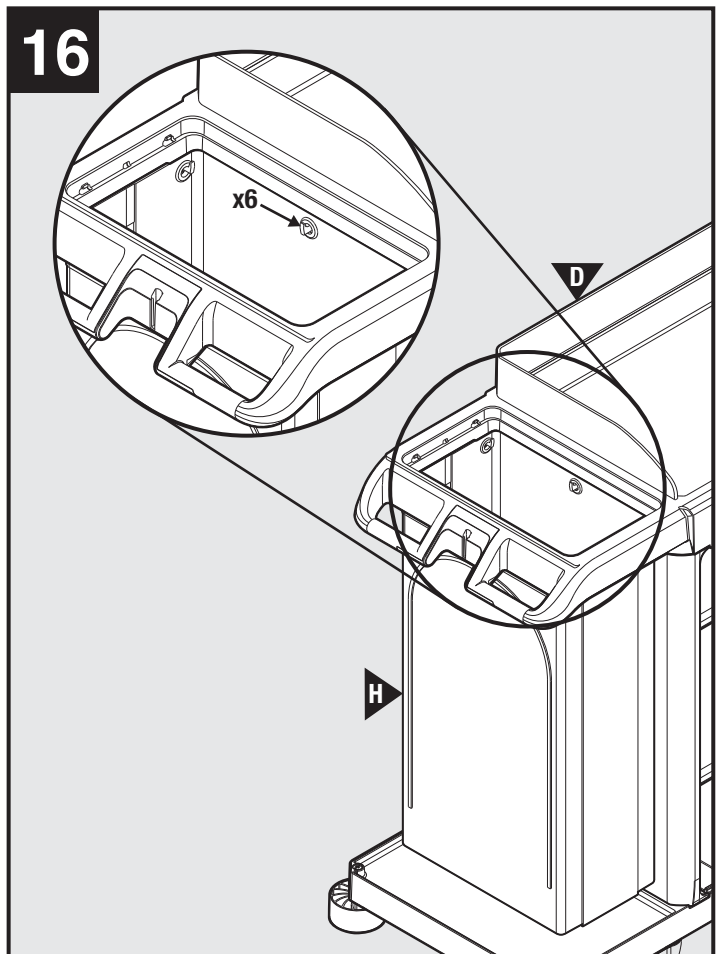
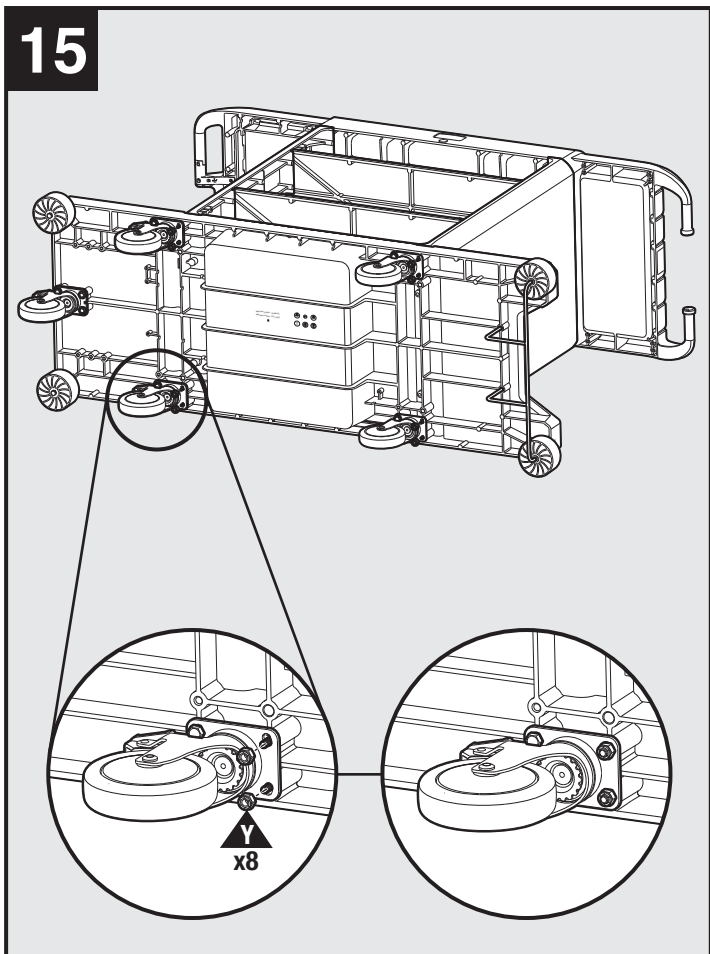
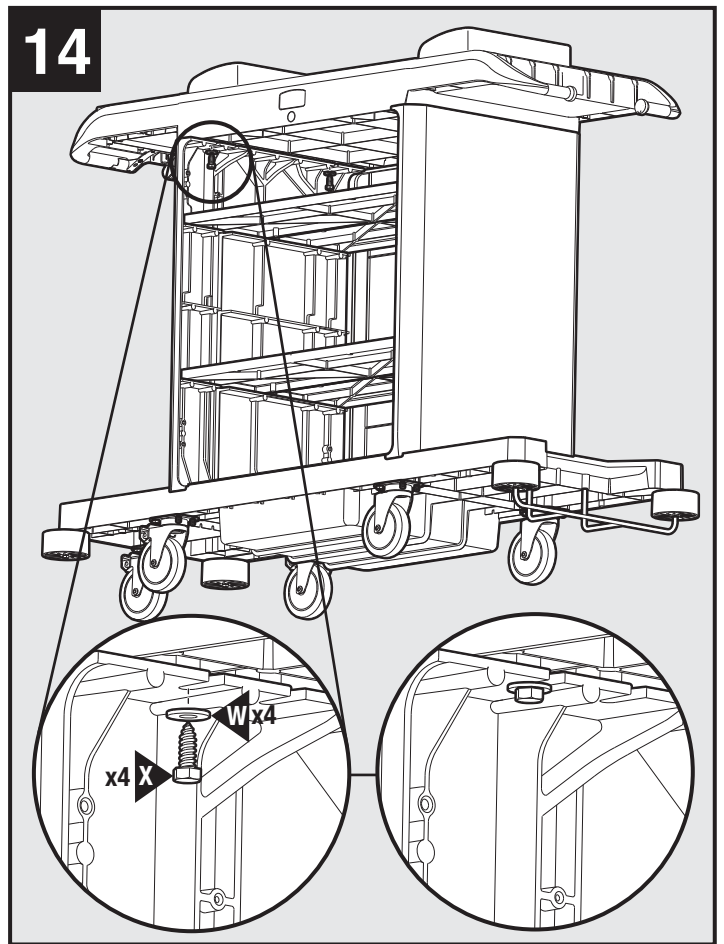
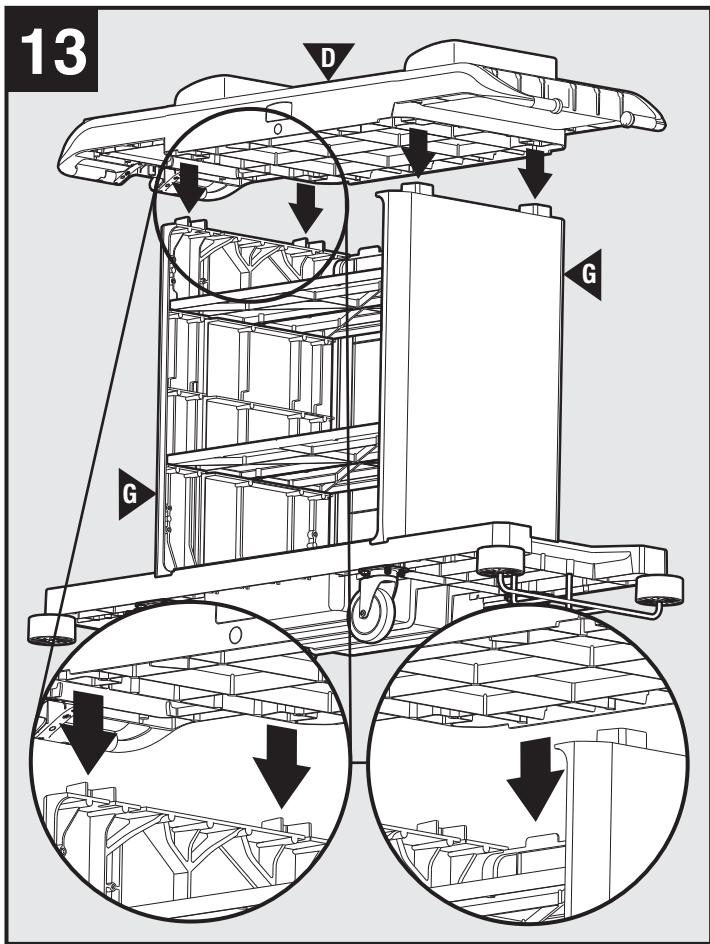


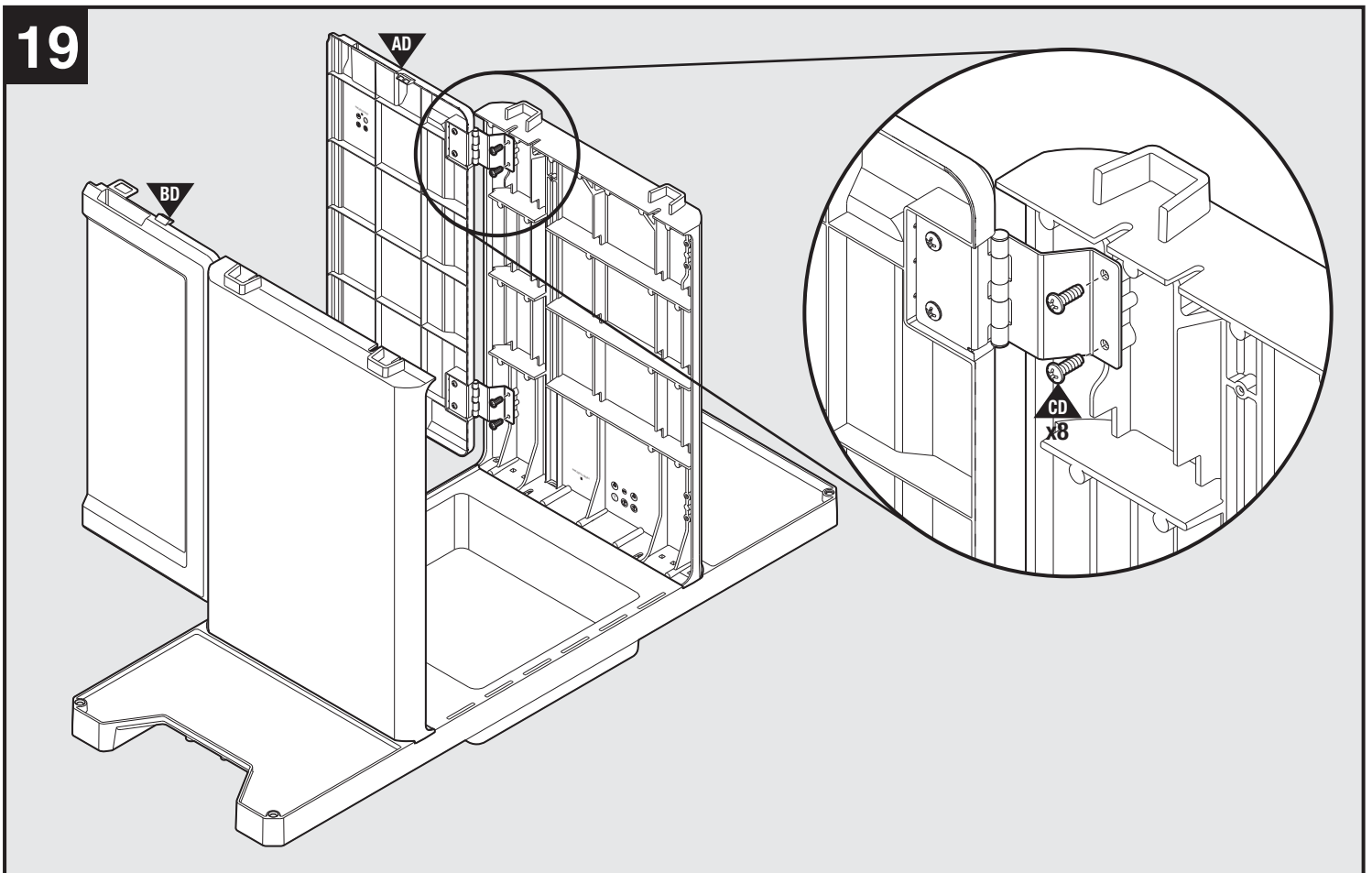
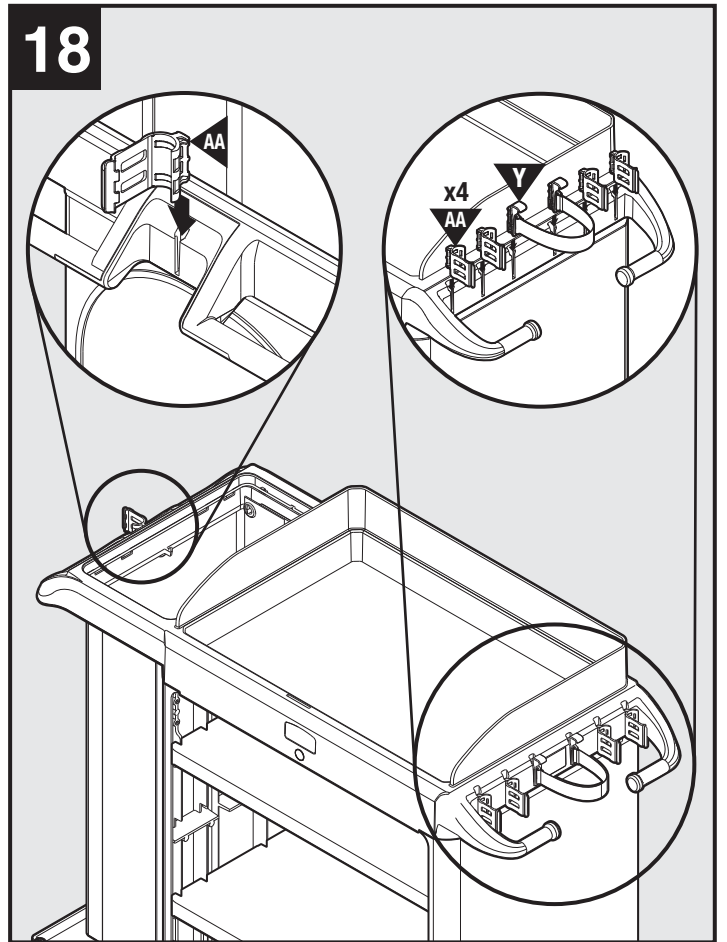
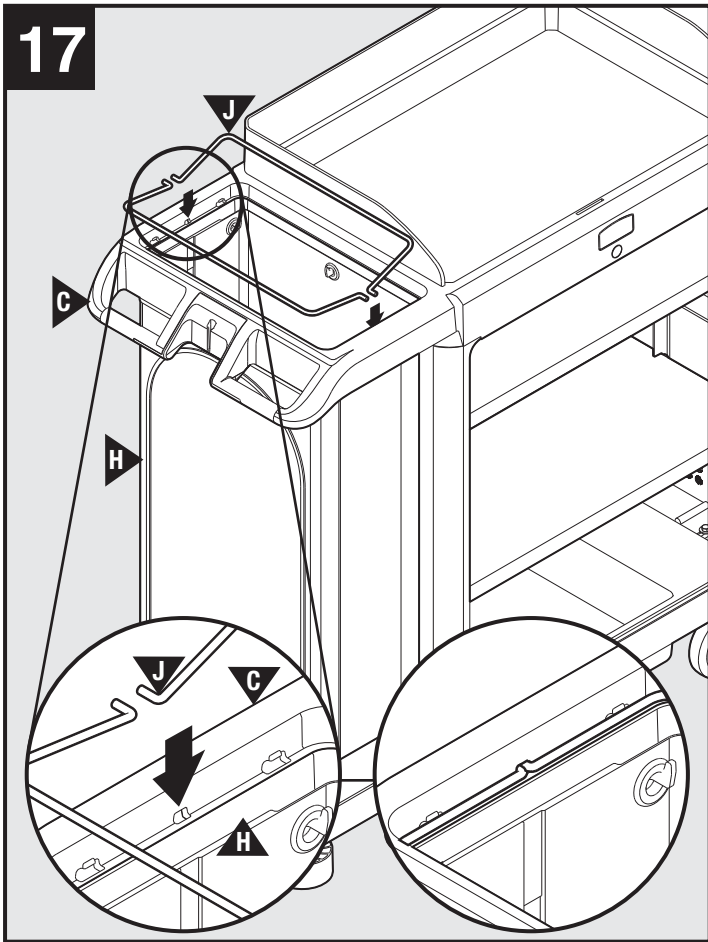
11



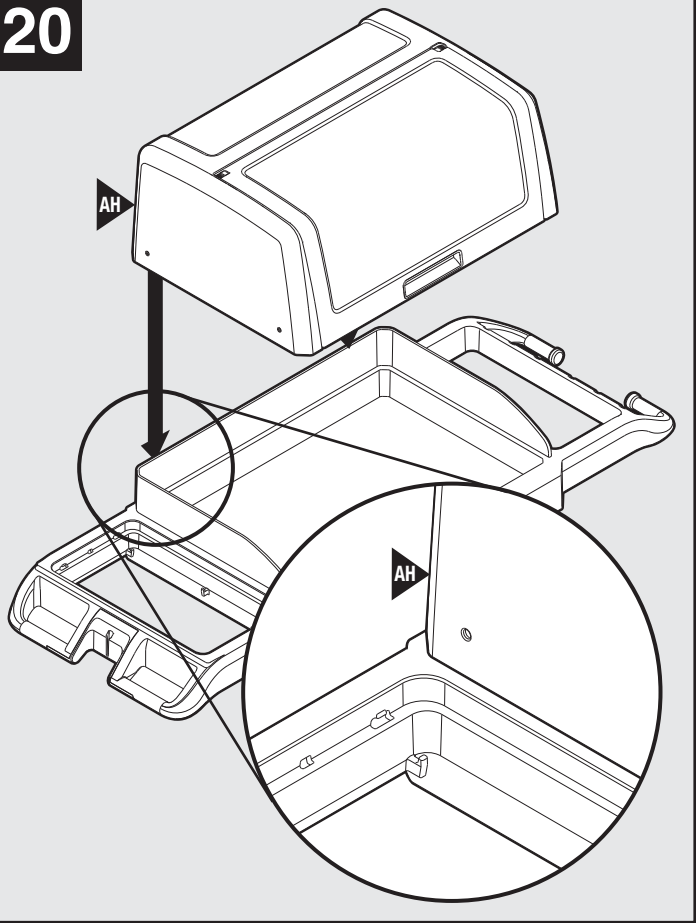
12



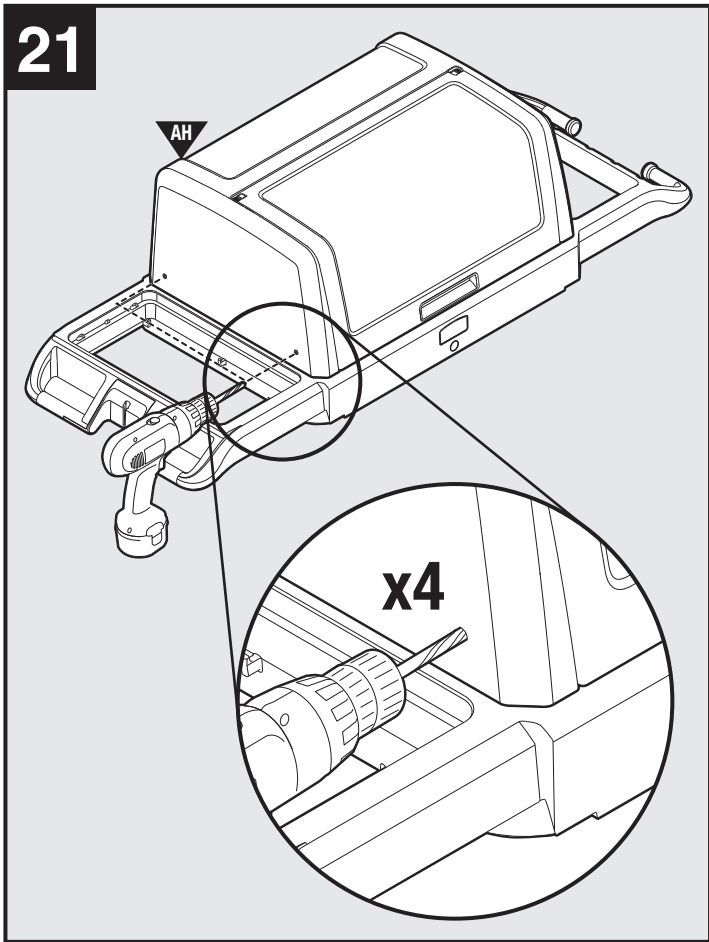




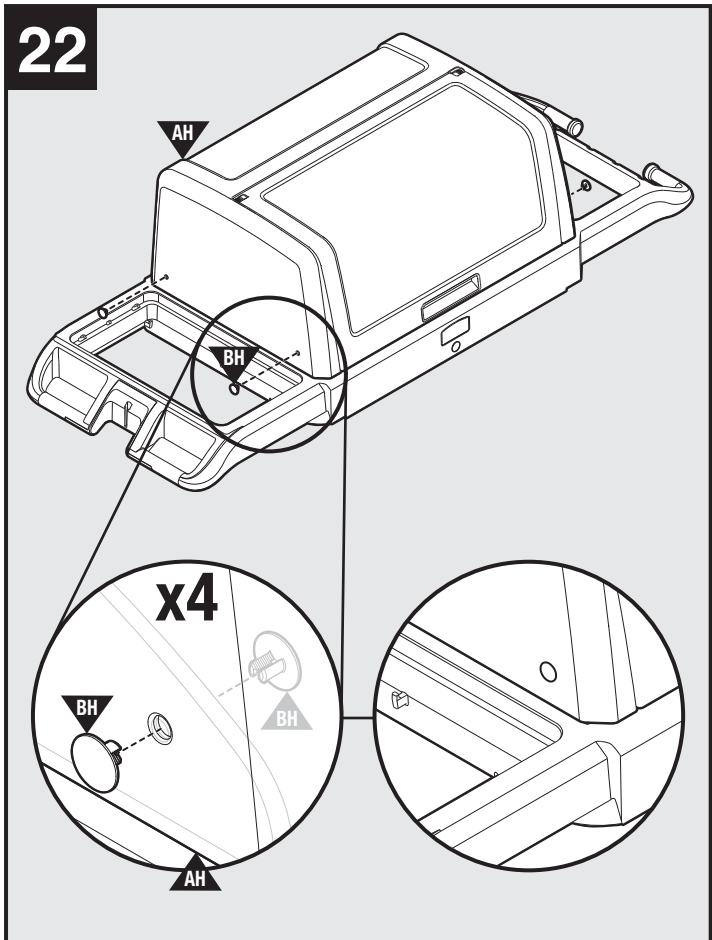
20



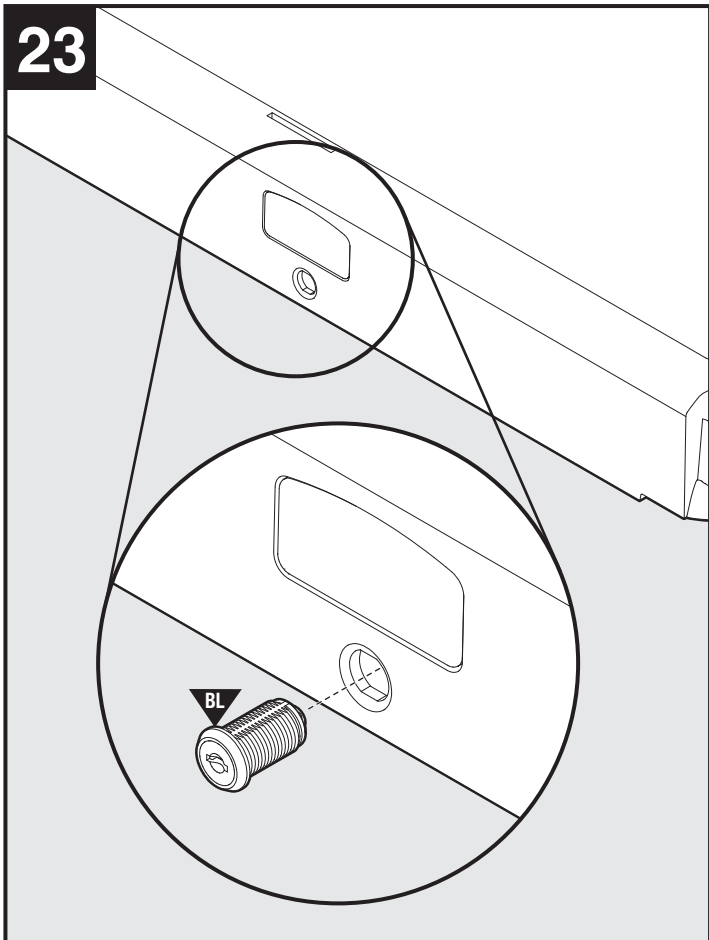
21



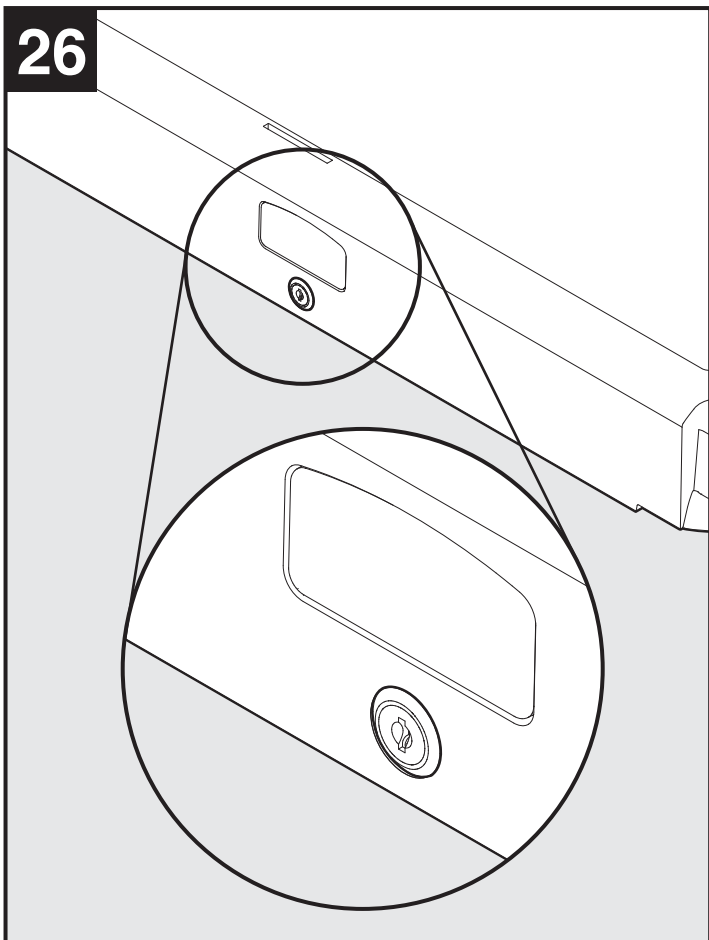
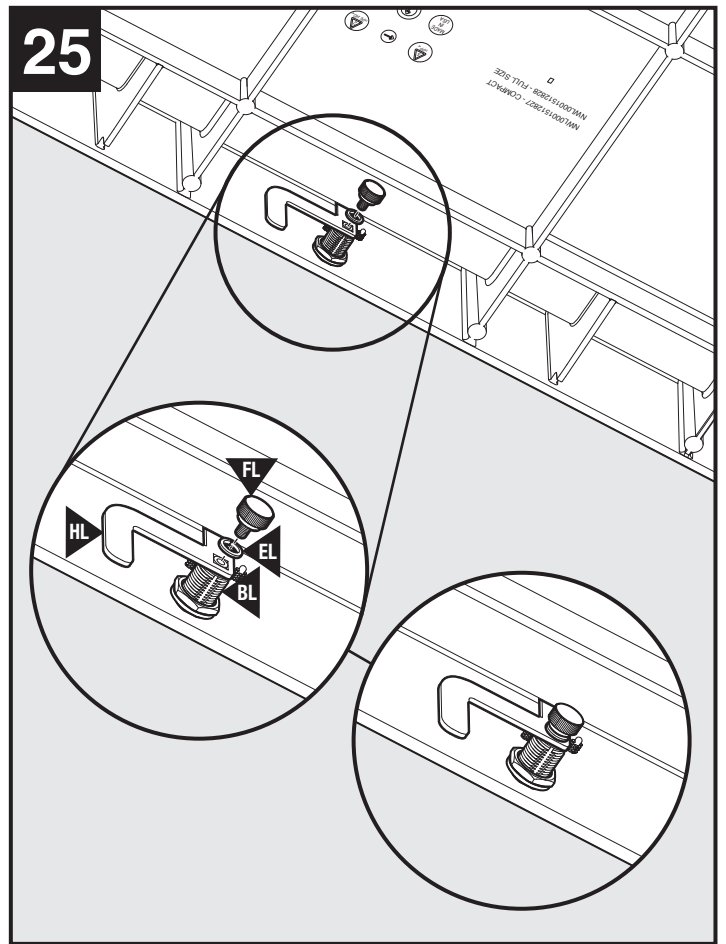
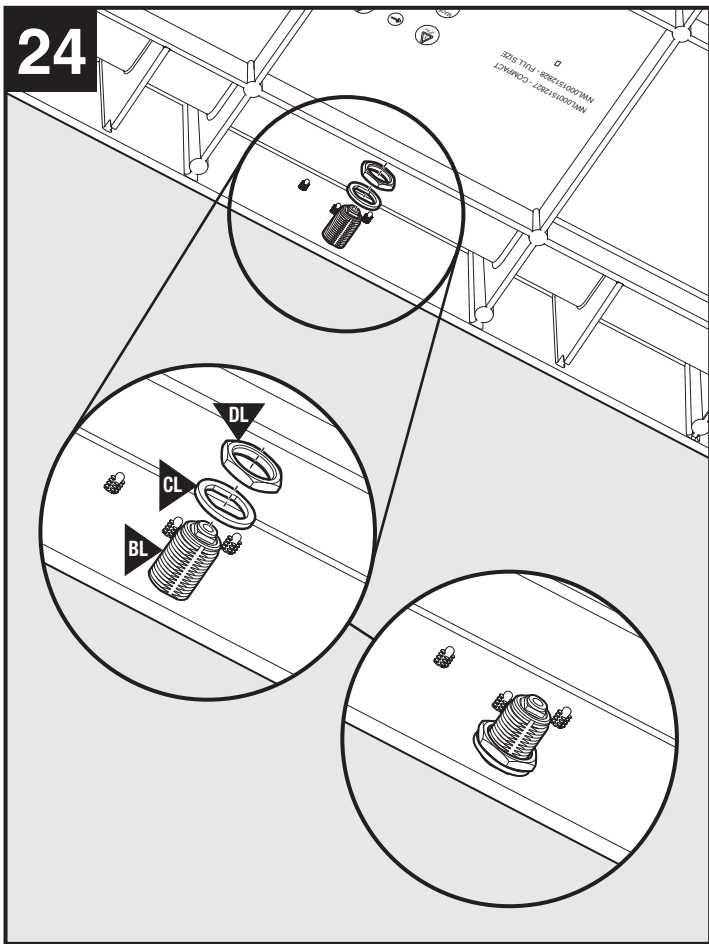
22

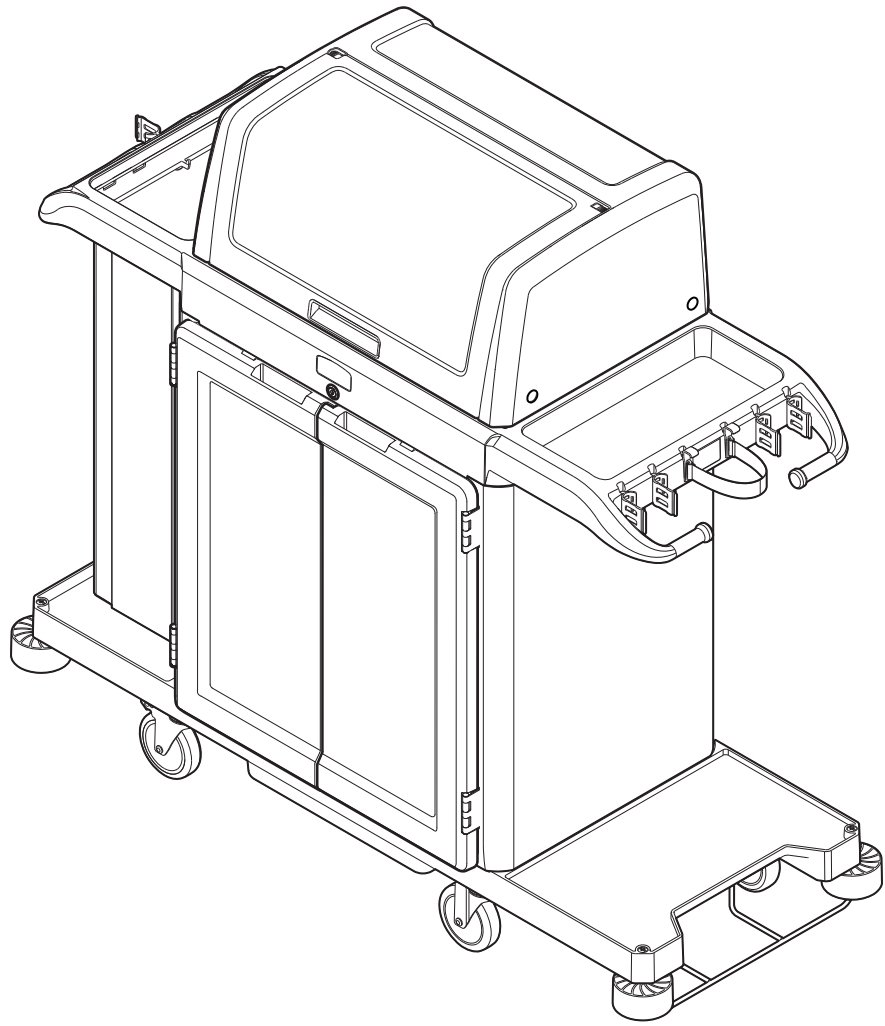


23













©2024 Rubbermaid Commercial Products  
Product of: Rubbermaid Commercial Products, LLC  
8900 Northpointe Executive Park Drive  
Huntersville, NC 28078  
[www.rubbermaidcommercial.com](http://www.rubbermaidcommercial.com)  
Contact us: 1-800-347-9800